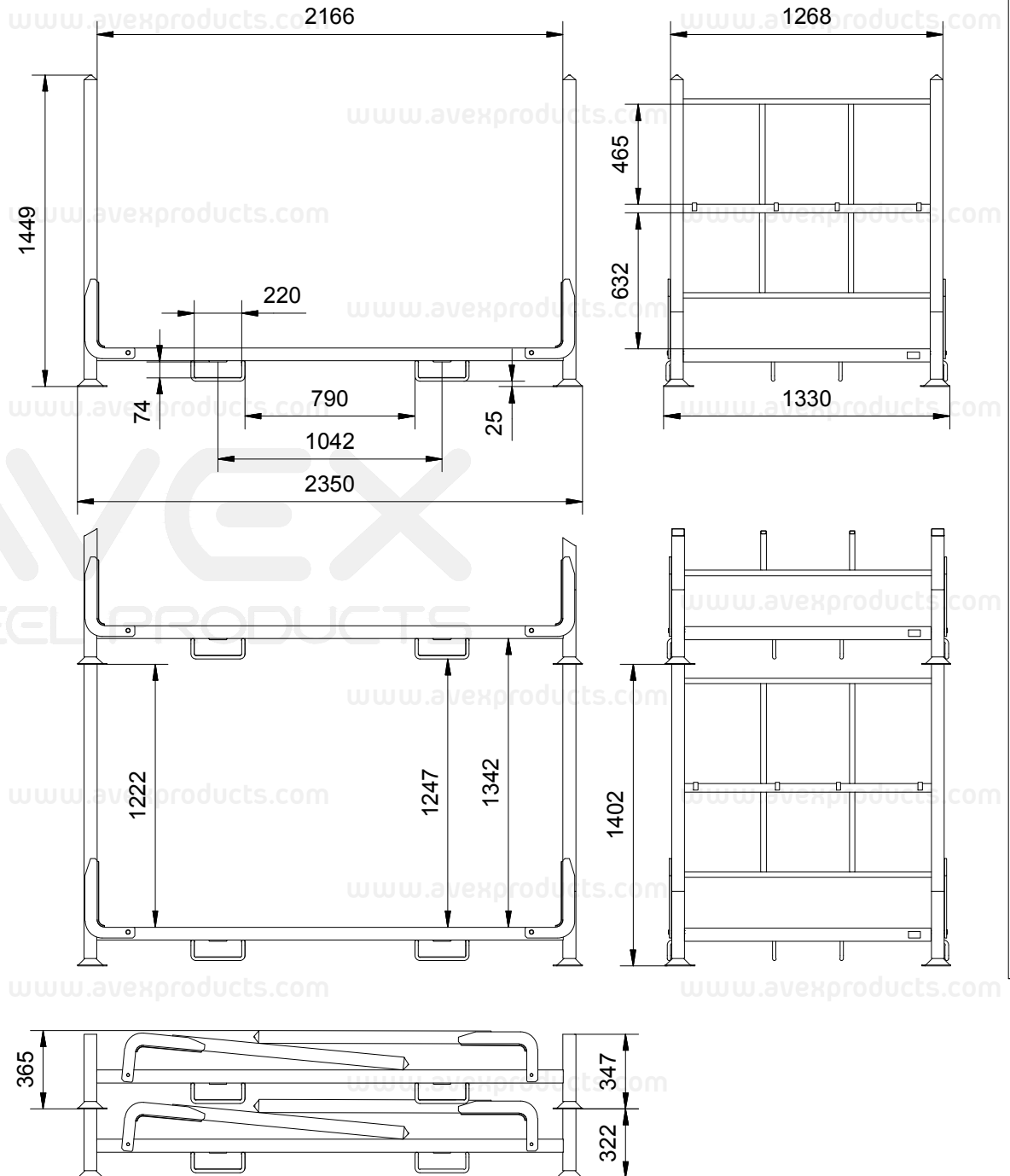


PALLET AT 86938

/ FOR TYRE STORAGE

Outside dimensions	2350 x 1330 x 1449 mm
Weight	154 kg (179 kg with bars)
Max. load capacity	800 kg
Stackability (rack with tyres)	6
Stackability (collapsible)	20 pcs
Surface treatment	powder paint



AVEX[®]
STEEL PRODUCTS

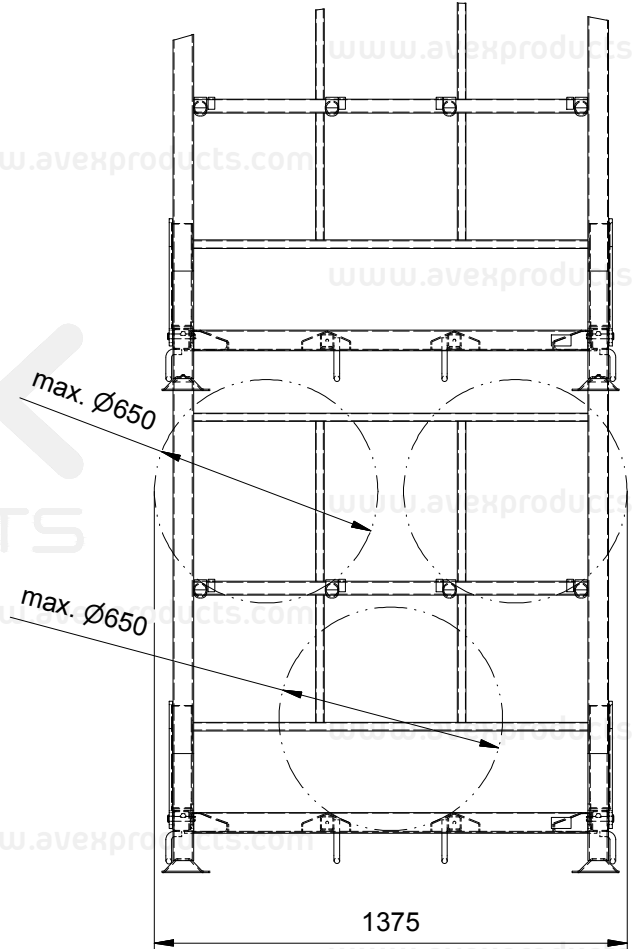
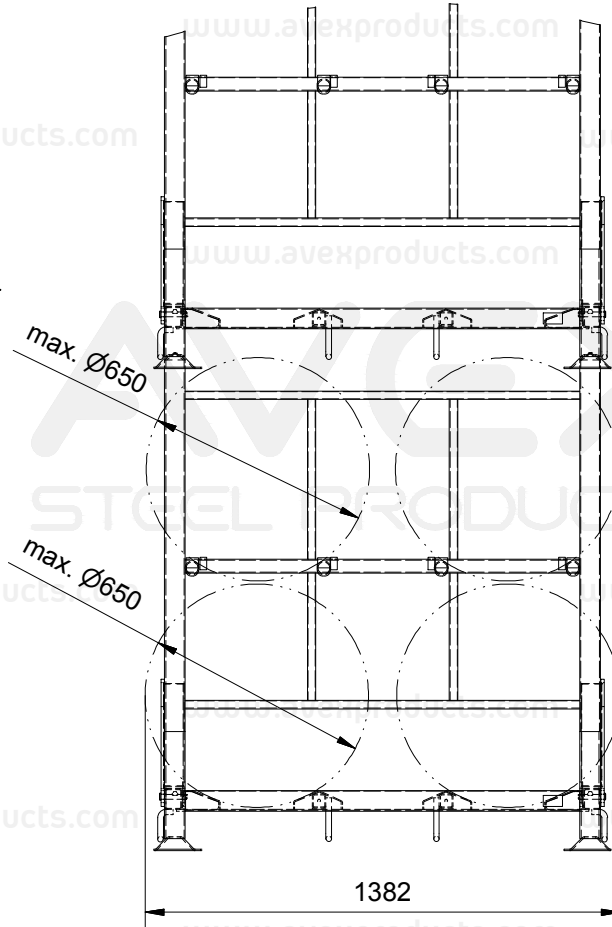
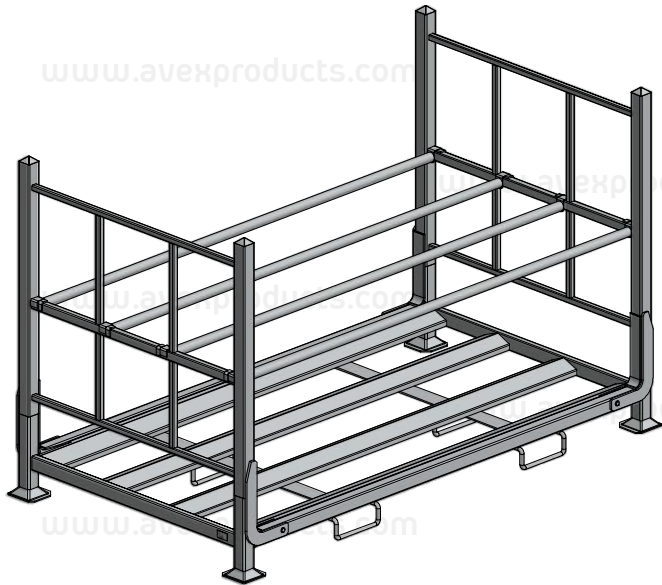
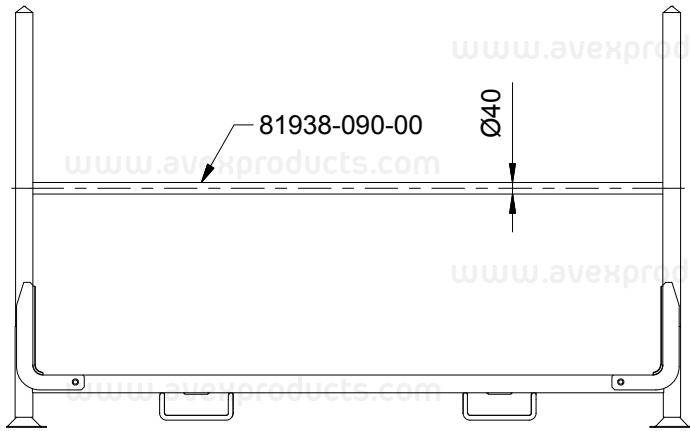
tř. Tomáše Bati 1656, 765 02 Otrokovice
Czech Republic | Europe

tel: +420 577 116 311 e-mail: trade@avex.cz
fax: +420 577 116 317 skype: avex.business

This drawing is property of Avex Steel Products s.r.o. The copying, distribution and utilization of this document as well as the communication of its contents to others without expressed authorization is prohibited. Offenders will be held liable for the payment of damages.

PALLET AT 86938

/ FOR TYRE STORAGE



AVEX[®]
STEEL PRODUCTS

tř. Tomáše Bati 1656, 765 02 Otrokovice
Czech Republic | Europe

tel: +420 577 116 311 e-mail: trade@avex.cz
fax: +420 577 116 317 skype: avex.business

PALLET AT 86938

/ FOR TYRE STORAGE

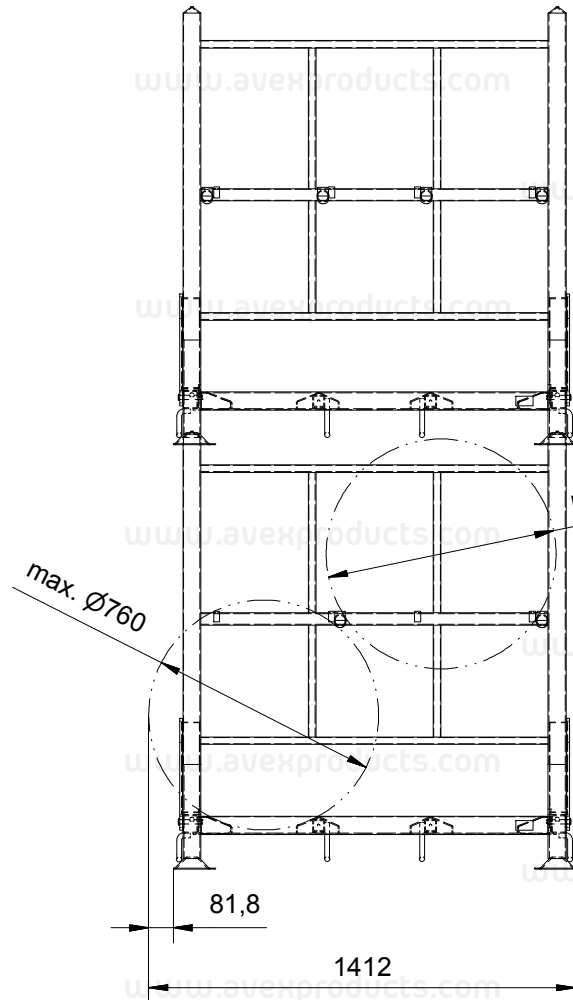
www.avexproducts.com

www.avexproducts.com

www.avexproducts.com

www.avexproducts.com

www.avexproducts.com

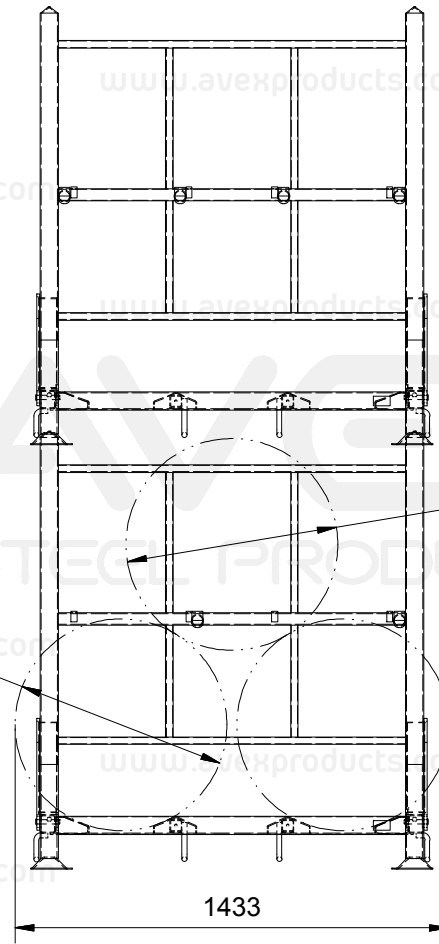


max. Ø760

max. Ø760

81,8

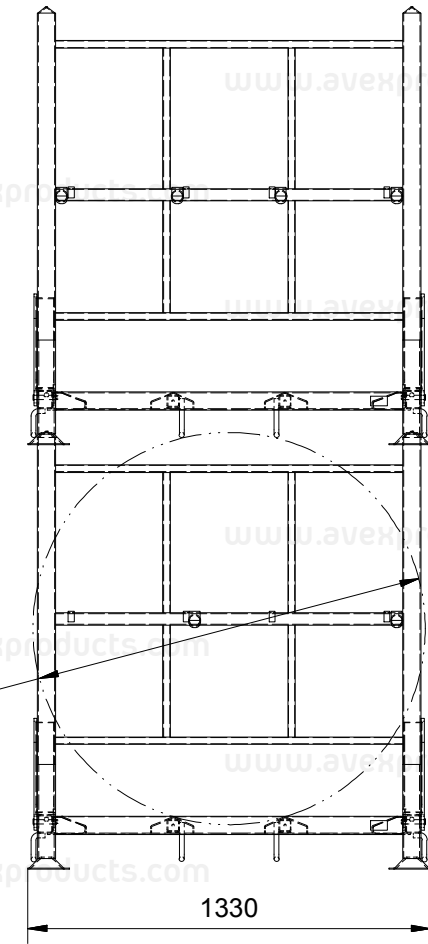
1412



max. Ø700

max. Ø700

1433



max. Ø1297

1330



tř. Tomáše Bati 1656, 765 02 Otrokovice
Czech Republic | Europe

tel: +420 577 116 311 e-mail: trade@avex.cz
fax: +420 577 116 317 skype: avex.business

This drawing is property of Avex Steel Products s.r.o. The copying, distribution and utilization of this document as well as the communication of its contents to others without expressed authorization is prohibited. Offenders will be held liable for the payment of damages.